



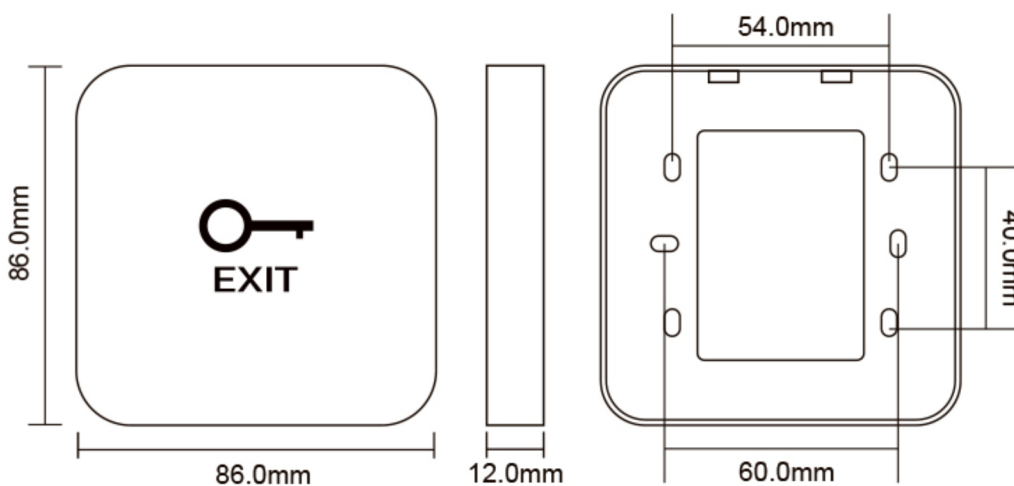
### OVERVIEW:

Suitable for access control. Activate the electric strike, magnetic lock or other electronic locks through access control

### SPECIFICATION:

Model	C86A
Blue LED	Standby Mode
Green LED	Activated Mode
Output	NO/NC/COM
Touch Sensitive	Yes

### PRODUCT DIAGRAM:



Office Line  
+6 03-8066 8482  
+6 03-8060 2818



Hot Line  
+6 019-348 1168  
+6 013-234 6821



Email  
sales@vshgroup.com.my



No.93, Jalan BP 7/2, Bandar Bukit Puchong, 47120 Puchong, Selangor.

