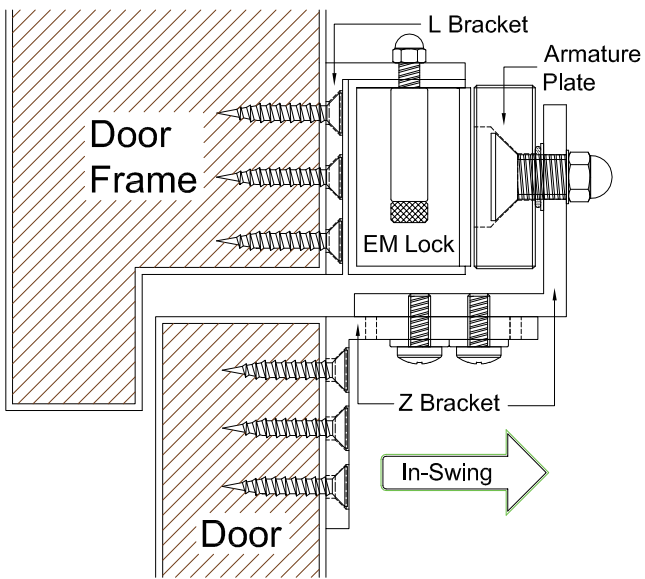
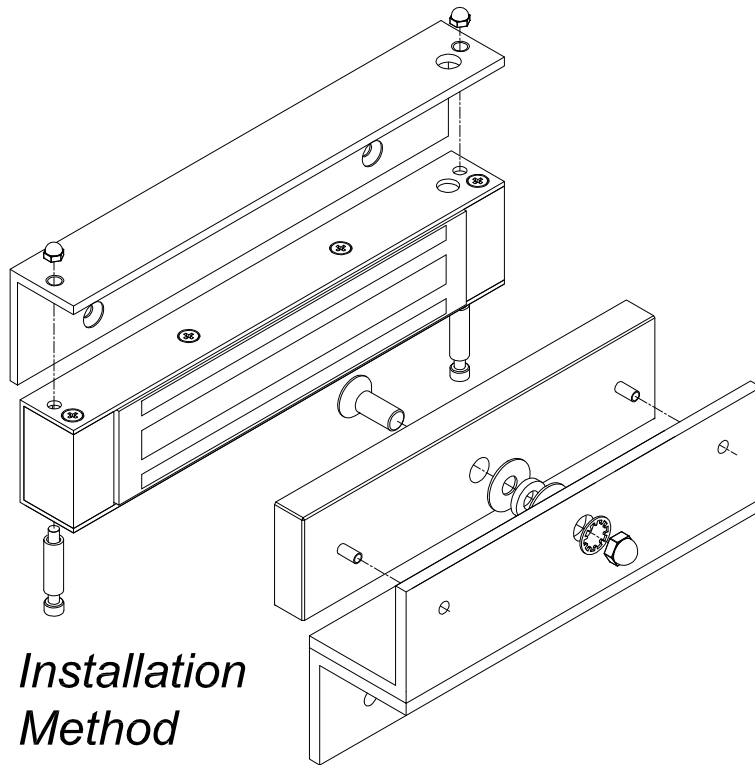
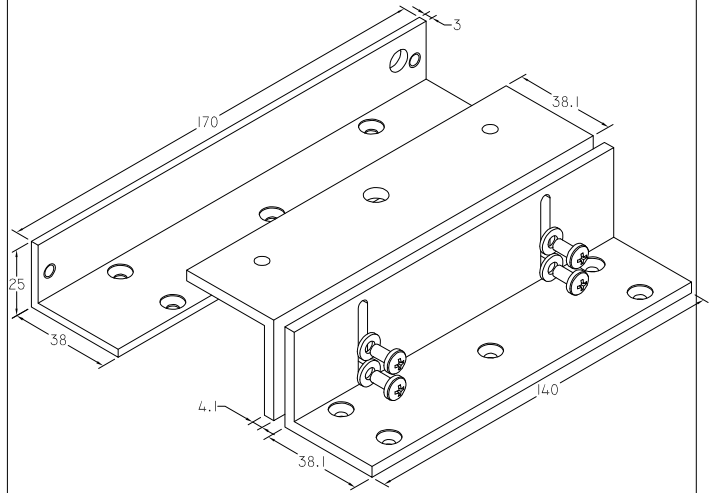


Bracket Application



Specifications (Unit = mm)



Installation Method

