



## **Introduction**

The H3WF is a waterproof touch keypad & RFID access controller with fingerprint. It is integrated with Tuya which supports 500 mobile users and 1000 common users (including card/ PIN/fingerprint users). It is available for both iOS and Android.

## **Features**

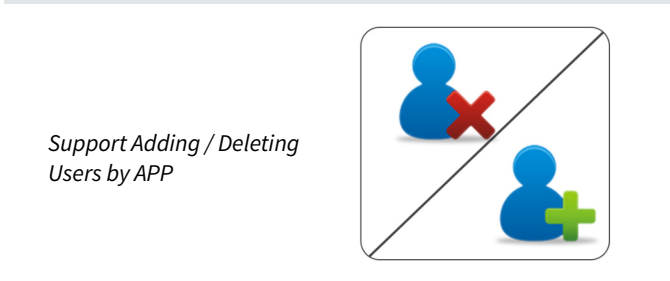
- Touch keypad
- Waterproof, conforms to IP66
- Metal housing, anti-vandal
- Card type: EM card or Mifare card
- Support fingerprint
- Add/Delete users by APP
- Can set time restriction for users
- Temporary password (on-time or period code)
- Support checking opening record
- Remote access (support 3G/4G/5G)
- Multiple access modes: Smartphone, card, PIN
- Door call notice





Compatible with all Bluetooth-enable mobile phone (version: 4.0 above)

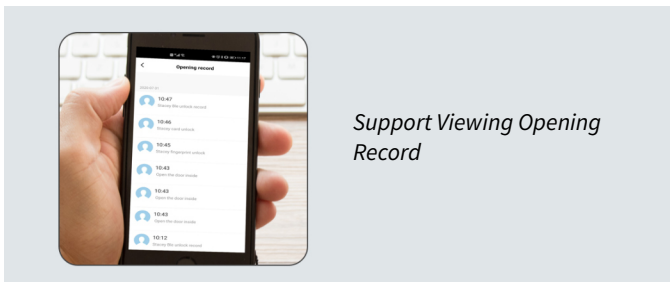
Various method to open the door, make it easy and safe entrance



Support Adding / Deleting Users by APP



Dual-frequency: support 125KHz EM & 13.56MHz Mifare card simultaneously



Support Viewing Opening Record



Support Gateway

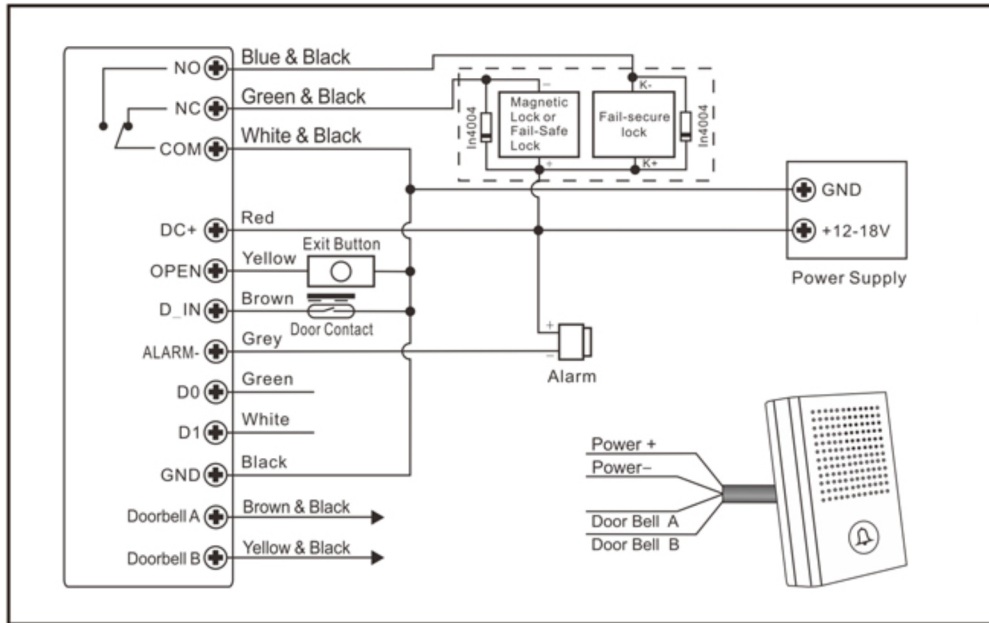
## Specification

<b>User Capacity</b> Common User Visitor User Panic User	<b>Hardware User: 1000</b> <b>APP User: 1000</b> 988 PIN/Card Users 10 2
<b>PIN Length</b>	<b>4~6 digits</b>
<b>Operating Voltage</b> Idle Current Active Current	<b>12~18V DC</b> ≤ 60mA ≤ 150mA
<b>Proximity Card Reader</b> Radio Technology Read Range	<b>EM or Mifare</b> 125KHz/13.5MHz 2~6cm
<b>Wiring Connections</b>	<b>Relay output, exit button, alarm, door contact input/output</b>
<b>Relay</b> Adjustable Relay Output Time Lock Output Load	<b>One (NO, NC, Common)</b> 0~99 second (5 seconds default) 2 Amp Maximum
<b>Wiegand Interface</b>  PIN Output	<b>EM Card version: Wiegand 26~44 bits inputs &amp; output</b> (factory default: Wiegand 26bits) <b>Mifare card version: Wiegand 26~44 bit, 56 bits. 58 bits input &amp; output</b> (factory default: Wiegand 34bits)  4bits, 8bits (ASCII), 10 digits Virtual Number (factory default: 4bits)
<b>Environment</b> Operating Temperature Operating Humidity	<b>Meets IP66</b> -40° C ~ 60° C (-40° F ~ 140° F) 0%RH ~98%RH
<b>Physical</b> Color Dimension Unit Weight	<b>Zinc-Alloy</b> Silver & Black 148(L) x 43.5(W) x 22(H) mm 330g



**Product Diagram**

**Common Power Supply**



**Special Power Supply**

