

DS-K1T673DX
Face Recognition Terminal

Face recognition terminal is a kind of access control device. It can be widely applied in multiple scenarios, such as enterprises, stations, dwellings, factories, schools, campus and so on.

- 7-inch LCD touch screen, 2 Mega pixel wide-angle lens
- Recognition distance: 0.3 to 3 m
- Face recognition duration < 0.2 s/User
- Face recognition accuracy rate ≥ 99%
- Built-in M1 card, Felica card, and DESfire card reading module (Presents card on the screen to authenticate)
- Face mask detection
- 10,000 face capacity, 10,000 fingerprint capacity (With fingerprint module), 50,000 card capacity, and 150,000 event capacity
- Supports ISAPI, ISUP 5.0, TCP/IP (IPv4 and IPv6)
- Supports single person and multiple people (Up to 5 people) recognition



▪ Specification

Display	
Screen size	7 inch
Operation method	Capacitive touch screen
Type	IPS
Resolution	600 × 1024
Video	
Lens	2
Resolution	2 MP
FOV	HFOV= 75.5°; VFOV= 41.5°; DFOV= 87°
Audio	
Audio quality	Built-in omnidirectional microphone
Network	
Wired network	Support
Interface	
Network interface	1 RJ-45, 10/100/1000 M self-adaptive
Lock control	1
Exit button	1
Door contact input	1
Alarm input	2
Alarm output	1
TAMPER	1
RS-485	1 RS-485 (Half duplex, HIKVISION)
Wiegand	1 Wiegand(Hik 26bit,Hik 34bit)
USB	1 (For Module)
Audio output interface	1 (3.5 mm)
Authentication	
Card type	M1 card,DESfire card,Felica card
General	
Power supply	12 VDC to 24 VDC, 2 A
Working temperature	-30 °C to 60 °C (-22 °F to 140 °F)
Working humidity	0 to 90% (no condensing)
Protective level	IP 65
Dimensions	110.5 mm × 209.2 mm × 24 mm (4.35" × 8.24" × 0.94")
Weight	Gross Weight: 1.06 kg (2.34 lb)
	Net Weight: 0.57 kg (1.26 lb)
Language	English, Spanish (South America), Arabic, Thai, Indonesian, Russian, Vietnamese, Portuguese (Brazil), Japanese, Korean, Traditional Chinese, French and Turkish
Face Recognition Terminal	
Fingerprint capacity	10,000 (With fingerprint module)
Function	
Face anti-spoofing	Support

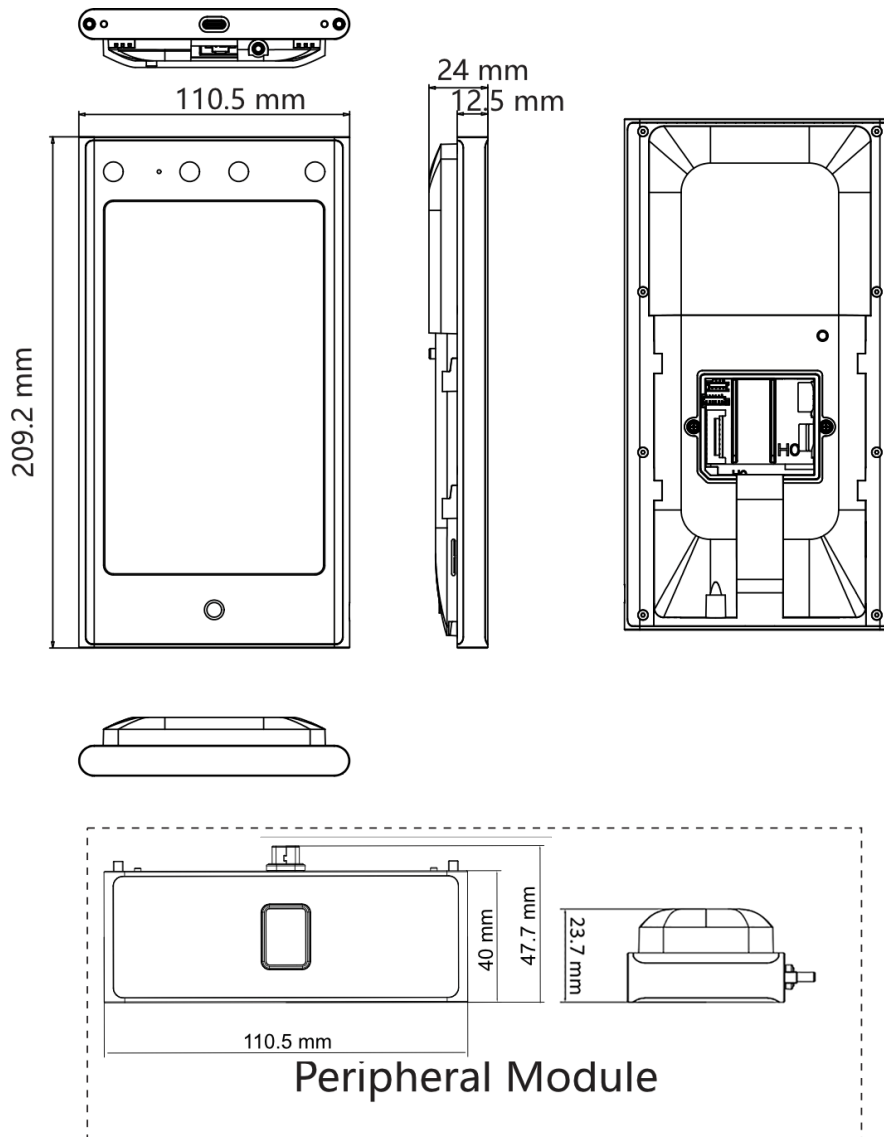
▪ Available Model

DS-K1T673DX



DS-K1T673DX(ESD)

▪ **Dimension**



▪ **Accessory**

▪ **Optional**

DS-KAB6-D1	DS-KAB6-ZU1	DS-KAB673-FB	DS-KAB673-FBQR	DS-KAB673-BQR
DS-KAB673-B	DS-KAB6-W1	DS-KAB673-P	DS-KAB673-EDB	



