

DS-K5033MW
Visitor Terminal

- Android 11 system
- Supports paperless visitor enrollment
- 10.1-inch touch screen
- Supports both stand-alone and networked visitor management applications
- Up to 300,000 visitor records can be stored on the device
- Supports advertisements playing
- Supports QR code scanning and swiping card for visitor pass
- Supports passport OCR
- Self-service visitor terminal
- Comes with a 58 mm thermal printer

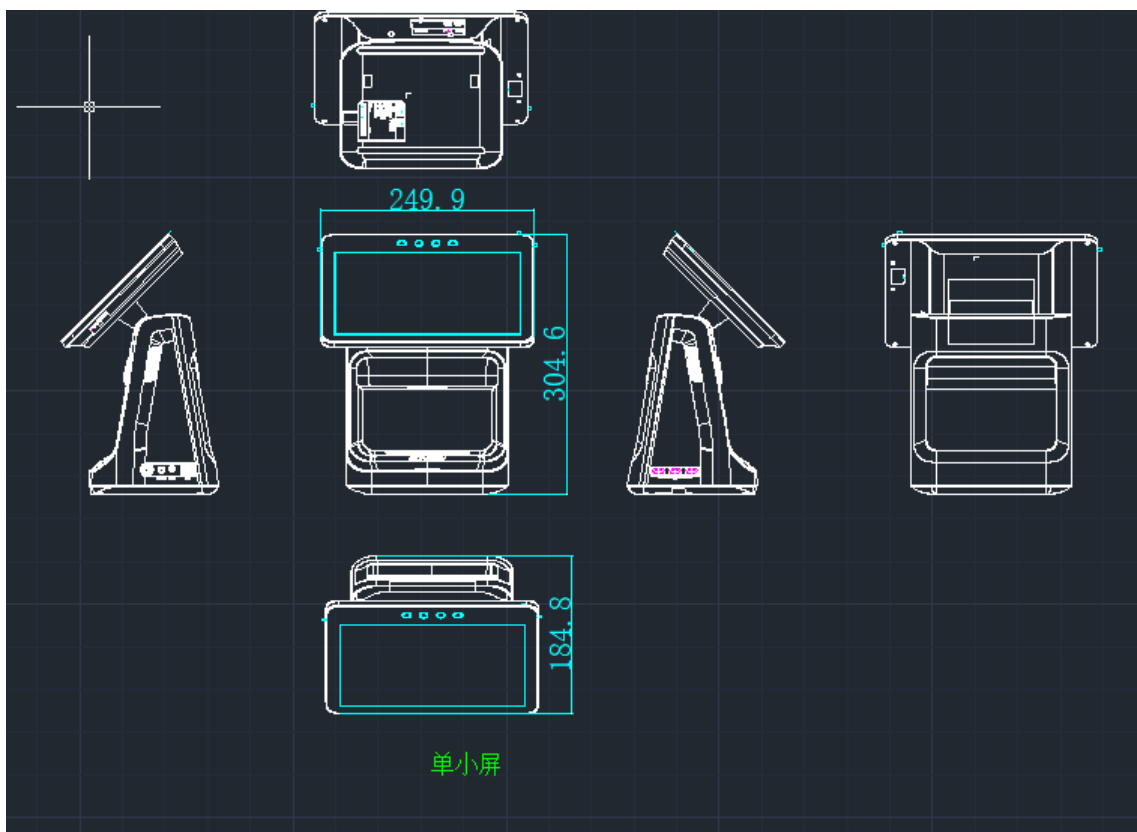
▪ Specification

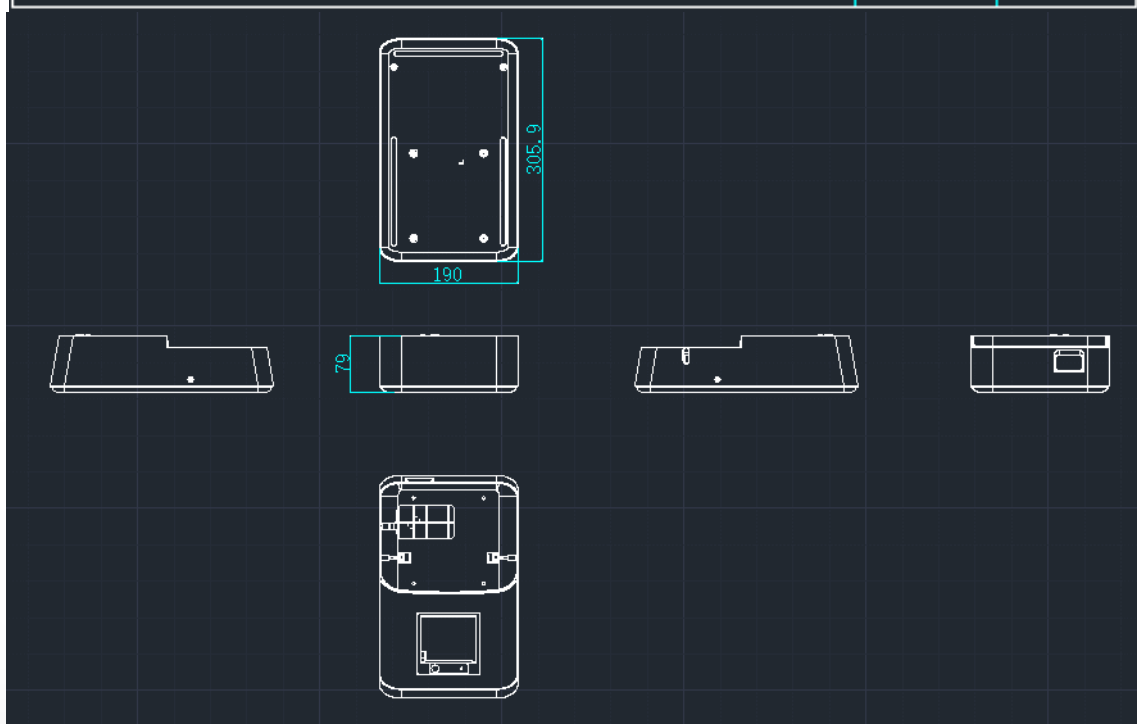
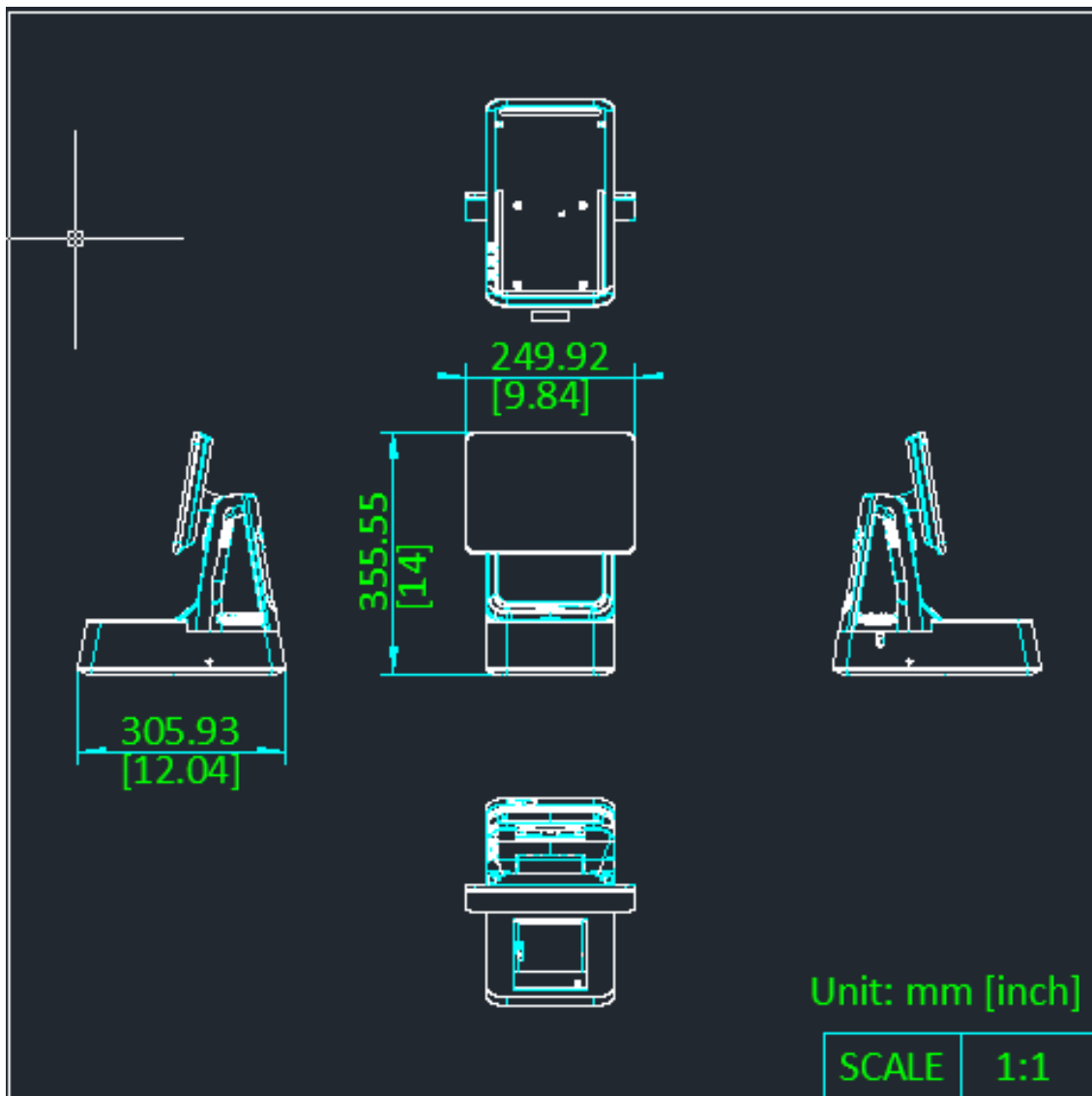
System	
Operation system	Android11
Display	
Size	10.1-inch
Resolution	1280 × 800
Operation method	LCD touch screen
Video	
Pixel	2 MP
Lens	2
WDR	Support
Video standard	PAL (Default)/NTSC
Audio	
Audio output	Built-in loudspeaker
Network	
Wired network	Support
Wi-Fi	Support, 2.4 G
Interface	
Network interface	1
Power interface	Round
USB	3
Capacity	
Visitor record	300,000
Authentication	
Card type	M1 card
Card reading frequency	13.56 MHz
Card reading distance	0 to 4 cm
Card reading duration	< 1 s
General	
Indicator	Red/green indicator
Power supply	12 VDC, 5A
Working temperature	-10 °C to 50 °C (14 °F to 122 °F)
Working humidity	10% to 90% (no condensing)

▪ Available Model

DS-K5033MW

▪ Dimension





See Far, Go Further



www.hikvision.com
support@hikvision.com

