



Ranger automatic swing door operator are easy installed, durable, reliable performance, safe and low noise operation. You can transform your any door rapidly into an automatic swing door without complication. Range automatic swing door also able to increase convenience and provide barrier-free access for the disabled too.

Ranger automatic swing door operator highly recommend for application at your living space, working environment etc to make your place more securely.



**Intensive Use**

Ideal for use on residential, apartment buildings & public entrances.



**Inward / Outward Selection**

With inward or outward 2 choices selection based on site requirements.



**Interlock Safety**

Emergency power supply can be configured to meet security requirements. Can realize the interlocking function between door and door.





### Low Operating Noise

Reliable performance, silent and stable operation.



### Interlocking Function

Emergency power supply can be configured to meet security requirements and realize the interlocking function between door and door.

**200** KG

### Maximum Gate Weight

Optimum range gate weight support 120kg  
maximum support gate weight up to 200kg.

\*All image and specification is subject to change without prior notice.



Technical Data	RG-AT40S-I	RG-AT40S-O
Door Configuration	Inward	Outward
Voltage	AC 200V -250V	
Power Supply External Consumer	24V DC (±10%),3A	
Opening/Closing Speed	45°/S	
Hold Open Time	0-60S	
Environment Temp.	-20 - +50°C	
Protection Class	IP21	
Item Weight	8kg	
Dimension	L515xH80xW115mm	
Max Open Angle	115°	
Door Weight Support	Optimum Range : 120kg ; Maximum 200kg	

### Standard Colours

White Aluminium  
(Similar to RAL9003)

### Ordering Info

Model	Door Configuration
RG-AT40S-I	Inward
RG-AT40S-O	Outward

RG-AT40S-I/O Inward/Outward



**Optional Accessories**

\*All image and specification is subject to change without prior notice.



Wireless Push Button



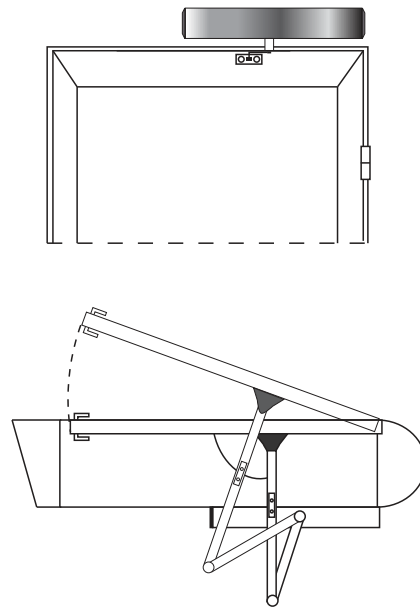
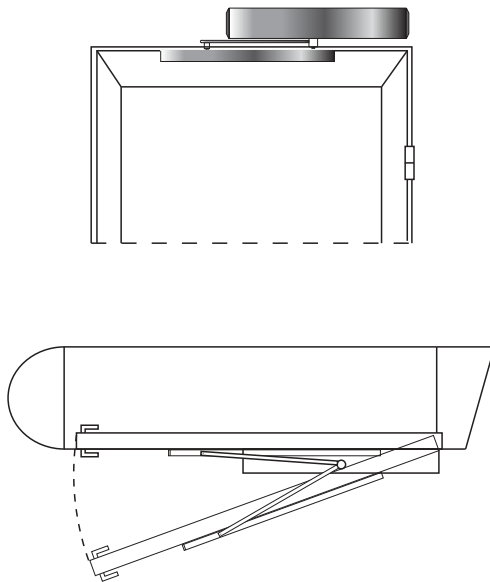
Safety Beam Sensor

**Installation Diagram**

\*All specification is subject to change without prior notice.

**Pull Arm (Inward)**

**Push Arm (Outward)**



**Dimension Drawings (mm)**

\*All specification is subject to change without prior notice.

