



SG-350

Electro Mechanical Operator For Folding & Swing Gates



Features

SG-350 Ideal solution for swing & Folding gate leaves up to 3m



Enclosure Weather Proof
SG-350 is waterproof and designed to withstand exposure to sunlight.



Backup Battery
Don't worry! Kept running with backup battery during power failures.



Gate Buzzer Alert
3 types of sound buzzer to differential the gate status by wired keypad.



Auto Close Timer
If you worry forgetting to close your gate then switch on this function where the gate will close by itself after opened for a present time. (with safety beam)



Safety Beam Sensor (optional)
When the gate totally close, the sensor will turn to alarm function. An obstruction to the beam sensor triggers the alarm action, siren will turn on.

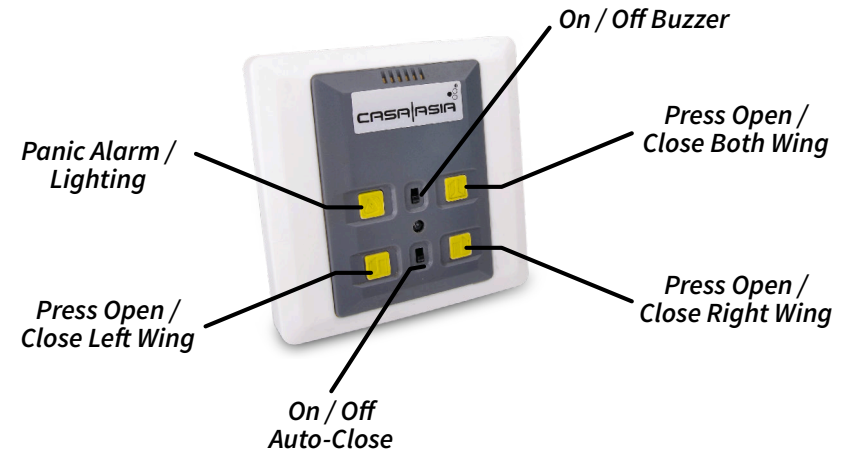
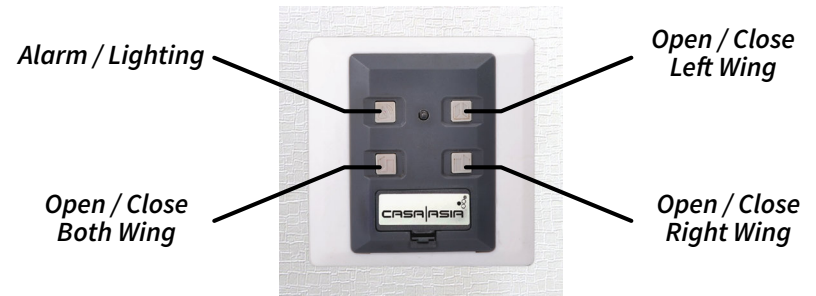


While closing, the gate will reverse if there is an obstacle to the motion.
Safety Beam Sensor (Optional)

Specifications Chart

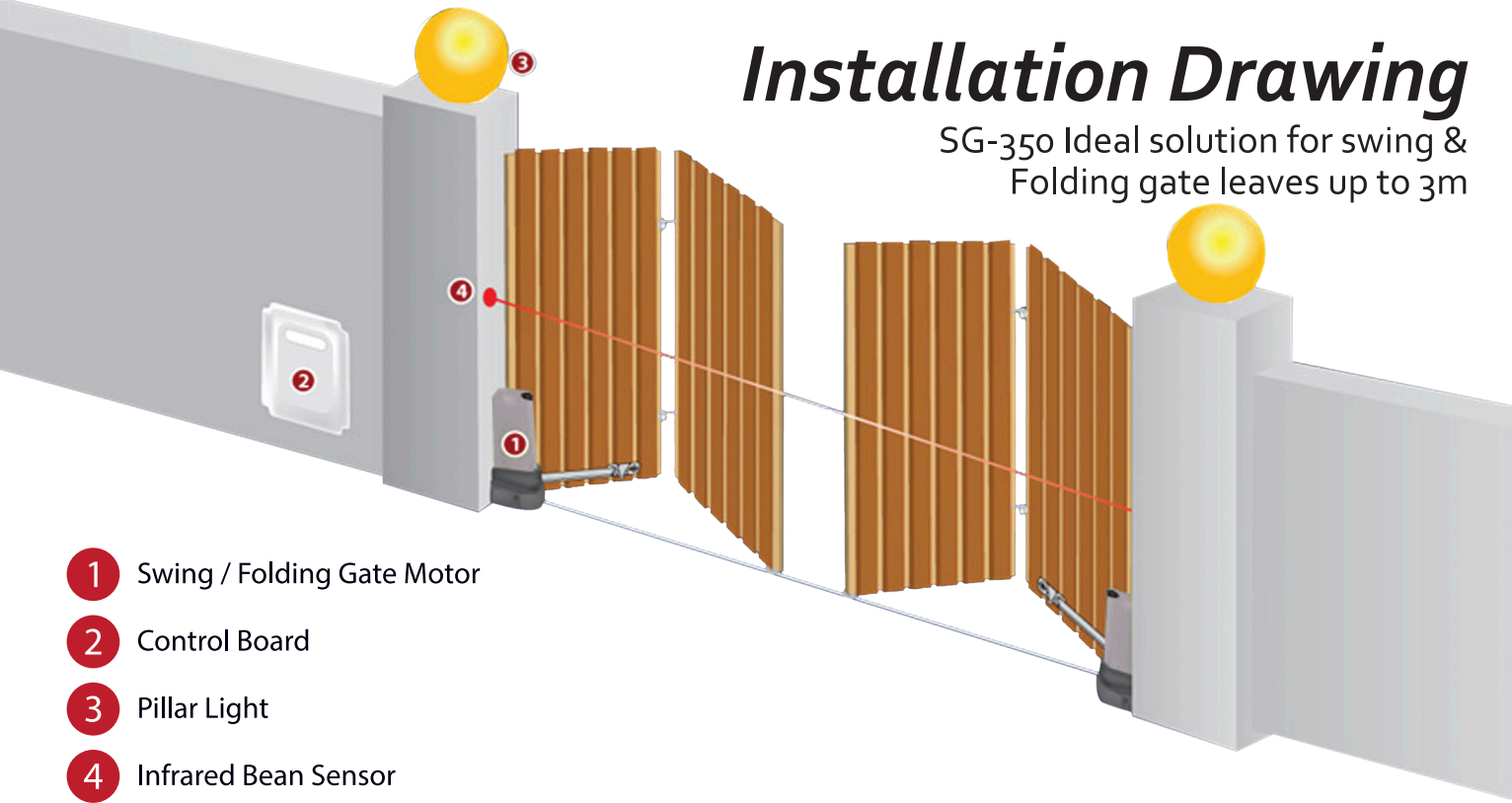
	SG-350	SG-550		1.36 Ampere	1.65 Ampere
Operating Current	230V		Operating Torque	96 Nm	140 Nm
Power Supply	40 Watts	60 Watts	Output Speed	2 R.P.M	
Power Max.	3 Ampere	6 Ampere	Opening Time	10 - 13 second (Total Open/Close)	
Current Max.	190 Nm	290 Nm	Keypad Control	2 wires connection / wireless	
Torque Max.	DC13V	DC16V		Open both, left, right wing	
Operating Voltage	20 Watts	30 Watts	On / off buzzer		On / off auto-close
Operating Power					

Advance Option



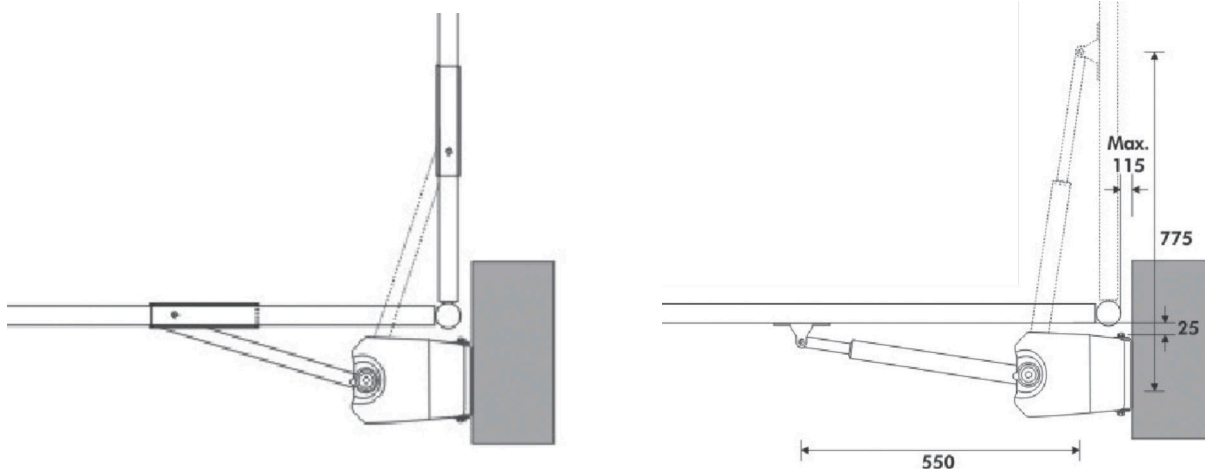
Installation Drawing

SG-350 Ideal solution for swing & Folding gate leaves up to 3m



- 1 Swing / Folding Gate Motor
- 2 Control Board
- 3 Pillar Light
- 4 Infrared Bean Sensor

Dimension Guide to Construct (mm)



Stainless Steel Rotary Gear



Multifunction Remote Controller

Release Lock for Gate

With the newest technology that combine safety with locking system, you can easily disengaged the lock system and move the gate freely during power outages.