

# VS-003-KW KS33

## Stainless Steel Key Switch



### OVERVIEW

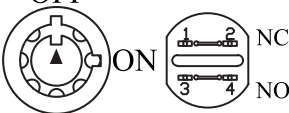
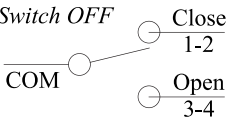
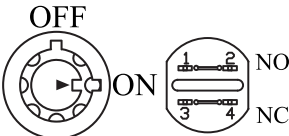
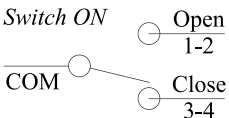
The Stainless Steel Key is designed for durability, precision, and long-lasting performance.

Suitable for security systems, locks, and specialized equipment, the Stainless Steel Key combines practicality with resilience to deliver dependable access control in any environment.

### SPECIFICATION

Model	VS-003-KW KS33
Material	Stainless Steel Grade 304
Standard Structure	Stainless Steel Plate / Key Switch
Operation	Common; NC; NO (SPDT)
Current Rating	4Amp @ 125 VAC; 2Amp @ 250 VAC
Weight	92.5g
Dimension	85(L) x 85(W) x 35(T) mm

### WIRING DIAGRAM

ON / OFF Position	S.P.D.T. Diagram	Description
<p>OFF</p> 	<p>Switch OFF</p> 	<p>When Key Switch at OFF Position: Line 1-2 is Normally Close; Line 3-4 is Normally Open.</p>
<p>ON</p> 	<p>Switch ON</p> 	<p>When Key Switch at ON Position: Line 1-2 is Normally Open; Line 3-4 is Normally Close.</p>

\*\* Legend: Line 1 - White Wire      Line 2 - Red Wire  
Line 3 - Orange Wire              Line 4 - Black Wire

