

VS-003-KW LED KS33

Stainless Steel Key Switch



OVERVIEW

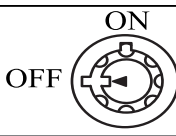
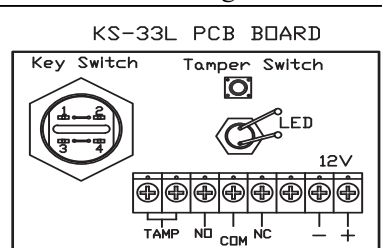

The Stainless Steel Key is designed for durability, precision, and long-lasting performance.

Suitable for security systems, locks, and specialized equipment, the Stainless Steel Key combines practicality with resilience to deliver dependable access control in any environment.

SPECIFICATION

Model	VS-003-KW LED KS33
Material	Stainless Steel Grade 304
Standard Structure	Stainless Steel Plate / Key Switch
Operation	Common; NC; NO (SPDT)
Current Rating	4Amp @ 125 VAC; 2Amp @ 250 VAC
Weight	92.5g
Dimension	85(L) x 85(W) x 35(T) mm

WIRING DIAGRAM

ON / OFF Position	PCB Diagram	Description
		<p>When Key Switch at OFF Position:</p> 
		<p>When Key Switch at ON Position:</p> 