

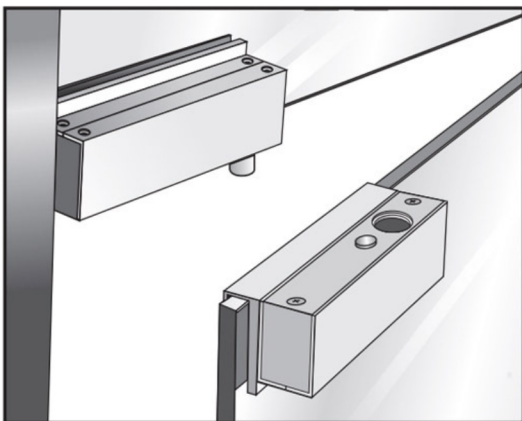
FUNCTIONS:

- ☑ Failed safe operation (energized to lock)
- ☑ Low surface temperature
- ☑ Low power consumption
- ☑ Door status output NC & COM
- ☑ Reliable locking mechanism (MTBF up to 500,000 cycle)
- ☑ Auto re-lock time 0, 3, 6, 9, sec
- ☑ Durable and silence operation
- ☑ Carrulous line finish aluminium surface
- ☑ Reverse current protection PCB
- ☑ Full range of optimal brackets

SPECIFICATION:

Voltage Input	12V DC
Current Draw	100 mA
Voltage	12V DC
Locking Force	Up to 800 kg
Sensor Monitor Rating	0.5 Amp, 30VAC/VDC max
Automatic Dead Bolt	Standard on all models
Material	Solid Stainless Steel Φ 16mm bolt
Operating Temperature	0°C~55°C
Operating Humidity	0~90%
Weight (Magnet)	0.7 kg
Dimension (LxWxH)	Face Plate - 205(L) x 35(W) x 3(H) mm Cover Plate - 215(L) x 35(W) x 3(H) mm Stike - 87(L) x 24(W) x .7(H) mm Cutout - 210(L) x 35(W) mm

INSTALLATION METHOD:



DIMENSION:

