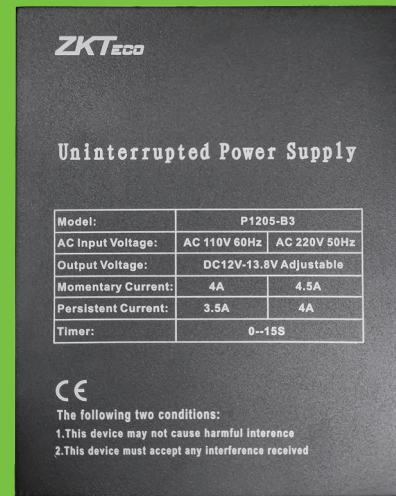


P1205-B3

Access Control Power Supply

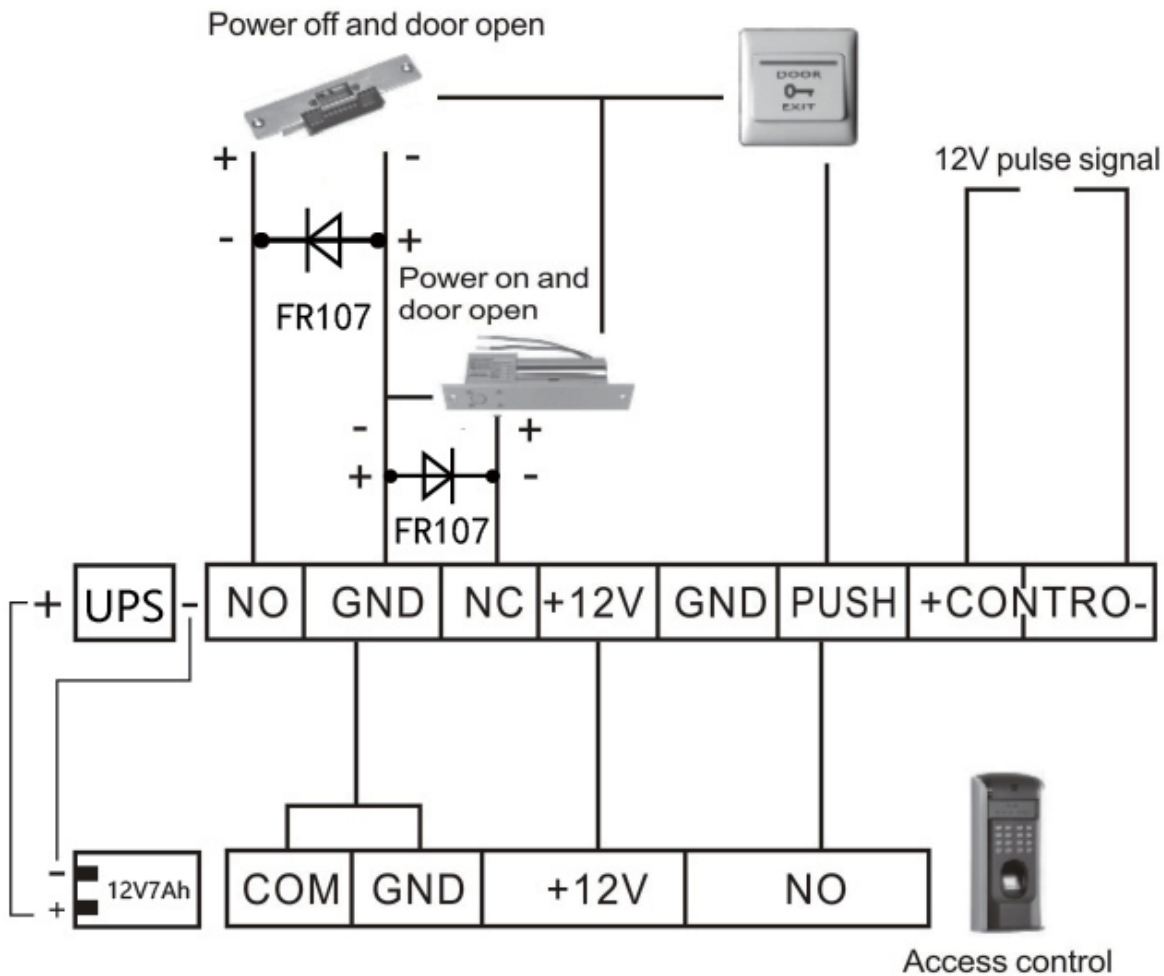


P1205-B3 is applied to building talkbacks and kinds of access controllers especially electriclocks and bolts. Through the signal lines or access controller and the other switches signal output to control the electriclock directly, can be decrease the access controller load and reduce potential safety hazard.

The Access Control Power Supply is highly favored for its high efficiency, stability, safety, and reliability. It employs linear voltage regulation technology, resulting in minimal output ripple and low noise. Within its capacity, it provides stable and reliable power support for the door access system. Additionally, its excellent heat dissipation performance and long service life effectively reduce the failure rate and facilitate maintenance, strongly supporting the stable operation of the door access system.

Product Specifications

Model	P1205-B3	
AC Input Voltage Range	AC 110V 60HZ	AC 220V 50HZ
Output Voltage	DC12V	
Persistent Current	3.5A	4A
Momentary Current	4A	4.5A
Over Current Protection	4.5A ~ @90V AC 5.2A ~ @230V AC	
Withstand Voltage	I/P-O/P: 1.5KV AC	
Operating Temperature	-20°C~+60°C	
EMC Standard	EN55022, CLASSA	
Size	212x168x71mm	



Function

- Lacquered metal chassis for durability.
- 110-240V wide voltage input, universal use.
- Built-in safety device, overload, wrong connection, temperature, lightning protection, power supply automatic protection.
- The internal UPS battery can be connected.
- The power supply adopts an intelligent chip.
- 1.5 double-sided sheet metal is used to reduce virtual welding and make the product more stable.
- Access control all-in-one machine, face machine, and access gate are all applicable.
- Low ripple, strong anti-interference, high conversion efficiency.

Label	SAP Code
ZK Label	100027550
	200031398 (With Battery)
Blank Label	100027549

