

FaceKiosk-H10A

Smart Conference Reservation
and Scheduling Terminal
with Facial Recognition

Compatible with
ARMATURA ONE

Compatible with
ZKBio Time



Overview

FaceKiosk-H10A is a facial recognition terminal that supports smart reservation and scheduling in corporate meeting rooms. **FaceKiosk-H10A** is embedded with a wide binocular dynamic camera and RFID card reader.

Meeting participants can verify their identity through facial recognition or IC card reading.

FaceKiosk-H10A is compatible with ZKBioTime or Armatura One software management platform, so that it can efficiently book meeting, accurately allocate conference room resources through an analyzed users data approach

Also, **FaceKiosk-H10A** has a 10.1 inches LCD touch screen, which will show the meeting schedule clearly. User will know the current available status of the conference room by the led status light of the device. When users occupy a conference room, the red light will be on. The green light is on when the conference room is idle.

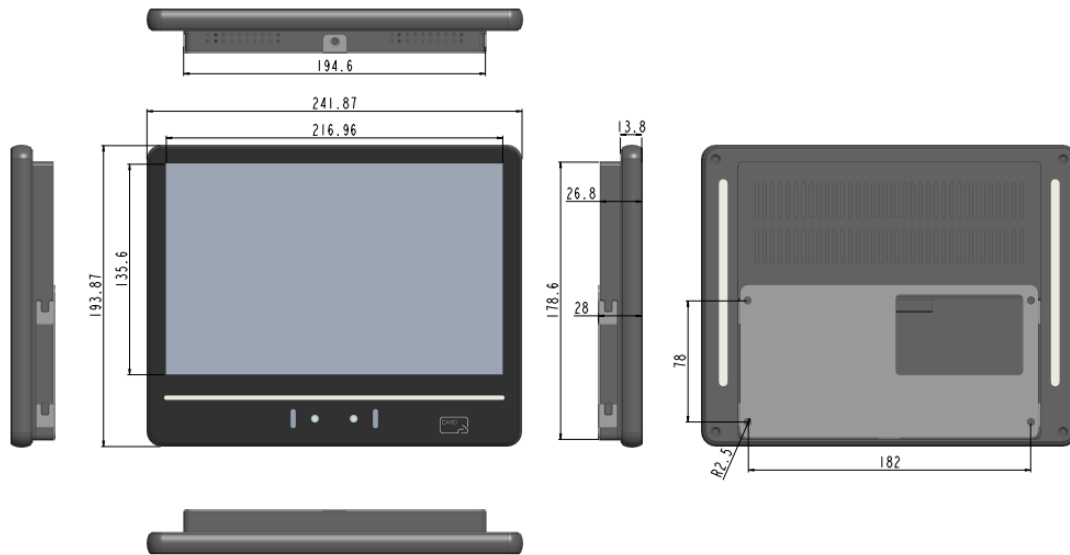
Features

- Centralized management of the platform, comprehensive data statistics, and clear conference data
- Face or card verification for participants to check-in and access control
- Email notification for schedule confirmation
- Access authority management
- The green and red lights visually display the occupancy of the conference room. When users occupy a conference room, the red light will be on. The green light is on when the conference room is idle.
- Support multiple languages (English, Arabic, French, Indonesian, Portuguese, Russian, Thai, Turkish Spanish and Korean)

Specifications

Capacity	User	10,000
	Face	10,000
	Card	10,000
	Total Transaction	200,000
Screen	LCD screen size	10.1-inch capacitive touch screen
	Screen scale	16:9
	Display Resolution	1280*800
Core parameters	CPU	ARM Cortex-A17 Quad-core 1.8 GHz
	OS	Android 7.1
	ROM	8G
	RAM	2G
	Communications	TCP/IP, Wi-Fi
	Card Type	IC Card
	Interface	USB*1,RJ45*1,DC*1
	Camera	2MP Wide Binocular Dynamic Camera
	Visual Indicator	2 Status Lights (Red Light and Green Light)
	Dimensions(L*W*H)	241.87*193.87*28mm(9.52*7.63*1.10in)
Basic parameters	Gross Weight	1.8kg
	Standby Power Consumption	≤0.5W
	Operating Power Consumption	<25W
	Power Supply	12V 3A
	Application Environment	Indoor, Semi Outdoor
	Operating Temperature	-10¥ to 50¥ (14 °Fto 122°F)
	Storage Temperature	-20 to 60¥ (-4 °Fto 140°F)
	Certificate	ISO9001, ISO14001
Software	Armatura One; ZKBio Time	

Dimensions (mm)



Configuration

