

LPRS1000

License Plate Recognition Integrated Machine



LPRS1000 adopts a set of independent research and development of top-class license plate recognition algorithm, and combining with years of experience in industry application. No need to stop, and no need to swipe card. Quick access to the parking lot of the automatic license plate recognition mode, provides users with more intelligent, more convenient, more perfect experience.

LPRS1000 integrated with license plate recognition camera, LED display, voice broadcast, fill light, fixed base and other integrated structure, and has a simple and elegant appearance and multi-functional design. It is convenient for the installation of the engineering business and get rid of the large ticket box, which is widely used in parking lot management.

Features



Industry-leading LPR Algorithm

- Dr. team for algorithm development
- License plate recognition accuracy is over 98%
- License plate recognition speed is less than 200 ms



Automatic License Plate Recognition Mode

- No need to stop and swipe card
- Quick access to the parking lot
- More intelligent, more convenient, perfect user experience



Parking Management Software

- Customizable diversity of parking charging rules
- Can export various financial statements



Localized Display and Voice

- Real-time display of license plate number, time record, remaining empty parking spaces, parking fee and other information
- Localized voice broadcast



Easy Installation and Connectivity

- Camera, LED display, voice broadcast, fill light , fixed base as integrated design



Applicable to Outdoor

- Camera:IP65
- Integrated machine: IP54

Specifications

Model	LPRS1000
Recognition Rate	Day≥98% ; Night≥95%
Recognition Distance	2-10Meters (Recommend Best Distance is 3.5-4m)
Recognition Time	≤200ms (Average)
Communication	TCP/IP
Interface	1 RJ45, 2 I/O output, 4 I/O input, 1 RS485, 1 Audio, Reset, USB, TF Card
Camera Lens	2MP, 6mm prime lens, Best Snap Range: 3.5-4Meters
Minimum Illumination	0.01Lux (Standard)
Standard Function	Automatic License Plate Recognition, Real-Time Display Information, Voice Broadcast , Customizable Charging Rules, Export Various Financial Statements, Blacklist And Whitelist Function, Fill Light ,Automatic Control Parking Barrier
Support Speed	≤20 km/h
Support Country	Malaysia, Singapore, Philippines, Pakistan, Canada, New Zealand, United Kingdom, Germany, France, Italy, Spain, Tanzania, Algeria, Ghana, Nigeria, Kazakhstan, Kyrgyzstan, Tajikistan
Software	ZKParking C/S Software or ZKBio CVSecurity
Power Consumption	100W (Max. 120W)
Power Supply	AC110V/220V, 50/60Hz
Operating Temperature	-20°C - +55°C
Relative Humidity	10%-90%
Weight	30Kg
Package Dimension(LxWxH)	340x220x1600 mm

Project Case



Location: Thailand
Device: LPRS1000 and ProBG3000

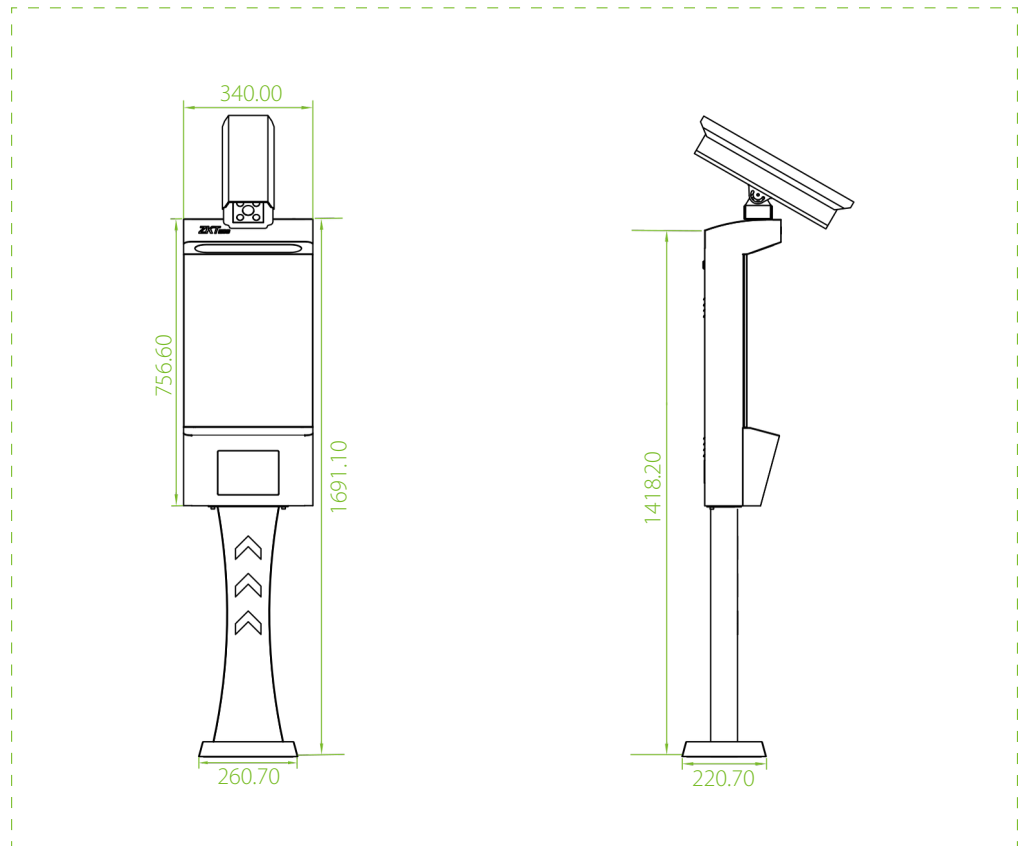


Location: Saudi Arabia
Device: LPRS1000 and PB4000 and UHF reader



Location: Mexico
Device: LPRS1000 and POS

Dimensions (mm)



Configuration

